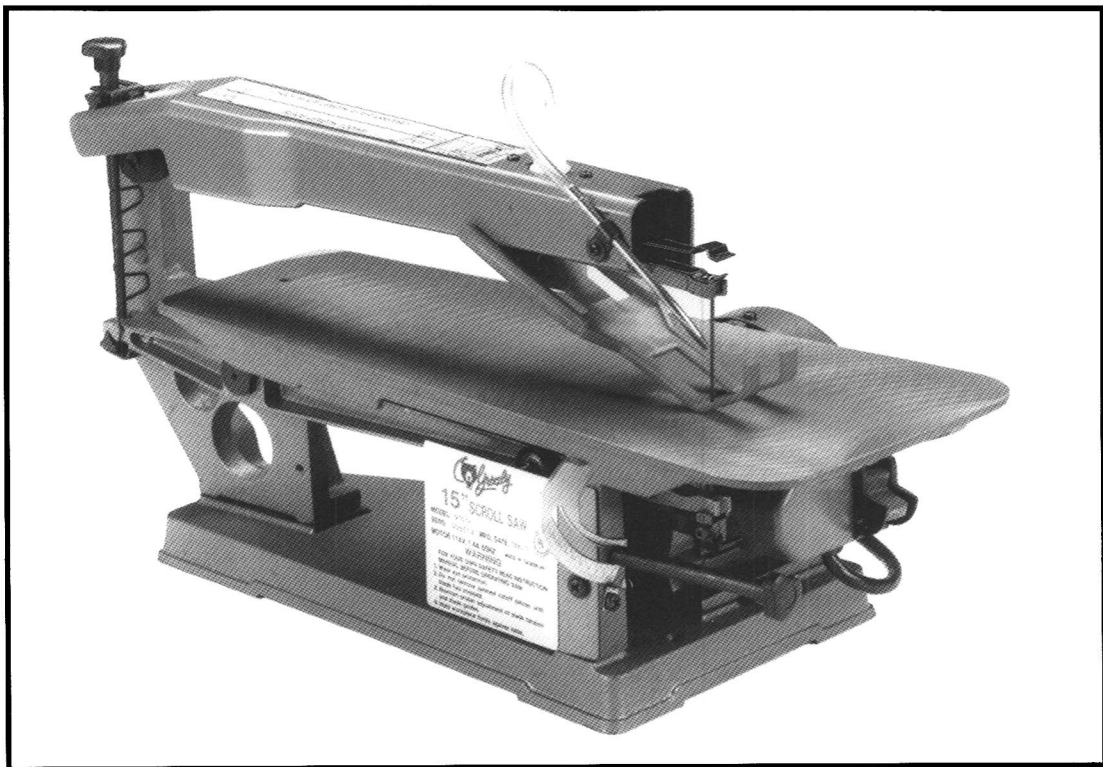




**15" SCROLL SAW**  
**MODEL G1572**  
**INSTRUCTION MANUAL**



**GRIZZLY IMPORTS, INC.**

COPYRIGHT ©1993 BY GRIZZLY IMPORTS, INC.  
**WARNING: NO PORTION OF THIS MANUAL MAY BE REPRODUCED IN ANY  
SHAPE OR FORM WITHOUT THE WRITTEN APPROVAL OF GRIZZLY IMPORTS, INC.**  
REPRINTED MAY 1994

# WARNING

Some dust created by power sanding, sawing, grinding, drilling, and other construction activities contains chemicals known to the State of California to cause cancer, birth defects or other reproductive harm. Some examples of these chemicals are:

- Lead from lead-based paints.
- Crystalline silica from bricks, cement, and other masonry products.
- Arsenic and chromium from chemically treated lumber.

Your risk from these exposures varies, depending on how often you do this type of work. To reduce your exposure to these chemicals: work in a well ventilated area, and work with approved safety equipment, such as those dust masks that are specially designed to filter out microscopic particles.

# WOODWORKING EQUIPMENT SAFETY INSTRUCTIONS

## WARNING

### For Your Own Safety Read Instruction Manual Before Operating This Equipment

Woodworking can be fun and rewarding, however it can also be a dangerous activity if safe and proper operating procedures are not followed. Please take the time to review the manual which was supplied with your machine, as well as these general safety instructions. Make sure you have properly assembled and adjusted the machine before operating it the first time. Also make certain you understand the procedures you are going to perform. Thinking through the steps or going through the motions of the operation with the machine off is often a good way to anticipate potential problems. Always use common sense and exercise caution in the workshop. If a procedure feels dangerous or awkward, don't do it!

If the instruction manual does not answer your questions, or you cannot find assistance from other woodworking books or references, please contact Grizzly Industrial's Customer Service:

Grizzly Industrial, Inc.  
1203 Lycoming Mall Circle  
Muncy, PA 17756  
Phone: (570) 546-9663  
Fax: 1-800-438-5901  
E-Mail: [techsupport@grizzly.com](mailto:techsupport@grizzly.com)  
Web Site: <http://www.grizzly.com>

## WARNING

### Safety Instructions For Power Tools

- 1. KEEP GUARDS IN PLACE** and in working order.
- 2. REMOVE ADJUSTING KEYS AND WRENCHES.** Form a habit of checking to see that keys and adjusting wrenches are removed from tool before turning on.
- 3. KEEP WORK AREA CLEAN.** Cluttered areas and benches invite accidents.
- 4. DO NOT USE IN DANGEROUS ENVIRONMENT.** DO NOT use power tools in damp or wet locations, or where any flammable or noxious fumes may exist. Keep work area well lighted.
- 5. KEEP CHILDREN AND VISITORS AWAY.** All children and visitors should be kept a safe distance from work area.
- 6. MAKE WORK SHOP CHILD PROOF** with padlocks, master switches, or by removing starter keys.
- 7. DO NOT FORCE TOOL.** It will do the job better and safer at the rate for which it was designed.
- 8. USE RIGHT TOOL.** DO NOT force tool or attachment to do a job for which it was not designed.

# WARNING

## Safety Instructions For Power Tools

9. **USE PROPER EXTENSION CORD.** Make sure your extension cord is in good condition. Conductor size should be in accordance with the chart below. The amperage rating should be listed on the motor or tool nameplate. An undersized cord will cause a drop in line voltage resulting in loss of power and overheating. Your extension cord must also contain a ground wire and plug pin. Always repair or replace extension cords if they become damaged.

Minimum Gauge for Extension Cords

AMP RATING	LENGTH		
	25ft	50ft	100ft
0-6	16	16	16
7-10	16	16	14
11-12	16	16	14
13-16	14	12	12
17-20	12	12	10
21-30	10	10	No

10. **WEAR PROPER APPAREL.** DO NOT wear loose clothing, gloves, neckties, rings, bracelets, or other jewelry which may get caught in moving parts. Non-slip footwear is recommended. Wear protective hair covering to contain long hair.
11. **ALWAYS USE SAFETY GLASSES.** Also use face or dust mask if cutting operation is dusty. Everyday eyeglasses only have impact resistant lenses, they are NOT safety glasses.
12. **SECURE WORK.** Use clamps or a vise to hold work when practical. It's safer than using your hand and frees both hands to operate tool.
13. **DO NOT OVERREACH.** Keep proper footing and balance at all times.
14. **MAINTAIN TOOLS WITH CARE.** Keep tools sharp and clean for best and safest performance. Follow instructions for lubricating and changing accessories.
15. **USE RECOMMENDED ACCESSORIES.** Consult the owner's manual for recommended accessories. The use of improper accessories may cause risk of injury.
16. **REDUCE THE RISK OF UNINTENTIONAL STARTING.** On machines with magnetic contact starting switches there is a risk of starting if the machine is bumped or jarred. Always disconnect from power source before adjusting or servicing. Make sure switch is in OFF position before reconnecting.
17. **MANY WOODWORKING TOOLS CAN "KICKBACK" THE WORKPIECE** toward the operator if not handled properly. Know what conditions can create "kickback" and know how to avoid them. Read the manual accompanying the machine thoroughly.
18. **CHECK DAMAGED PARTS.** Before further use of the tool, a guard or other part that is damaged should be carefully checked to determine that it will operate properly and perform its intended function. Check for alignment of moving parts, binding of moving parts, breakage of parts, mounting, and any other conditions that may affect its operation. A guard or other part that is damaged should be properly repaired or replaced.
19. **NEVER LEAVE TOOL RUNNING UNATTENDED. TURN POWER OFF.** DO NOT leave tool until it comes to a complete stop.
20. **NEVER OPERATE A MACHINE WHEN TIRED, OR UNDER THE INFLUENCE OF DRUGS OR ALCOHOL.** Full mental alertness is required at all times when running a machine.

### CAUTION

No list of safety guidelines can be complete. Every shop environment is different. Always consider safety first, as it applies to your individual working conditions. Use this and other machinery with caution and respect. Failure to do so could result in serious personal injury, damage to equipment or poor work results.

# WARRANTY CARD

NAME \_\_\_\_\_ PHONE NUMBER \_\_\_\_\_

STREET \_\_\_\_\_

CITY \_\_\_\_\_ STATE \_\_\_\_\_ ZIP \_\_\_\_\_

MODEL # \_\_\_\_\_ PURCHASED FROM GRIZZLY, BELLINGHAM, WA   
OR WILLIAMSPORT, PA

INVOICE # \_\_\_\_\_

The following information is given on a voluntary basis. This information will be used for marketing purposes to help Grizzly develop better products. Your name will be included in our mailing list only. It will not be sold to other companies. Of course, all information is strictly confidential.

1. How did you find out about us?

Advertisement     Friend     Other \_\_\_\_\_  
 Catalog     Card deck

2. Do you think your machine represents good value?                      YES \_\_\_                      NO \_\_\_

3. Would you allow us to use your name as a reference for Grizzly customers in your area?                      YES \_\_\_                      NO \_\_\_  
(Note: Your name will be used a maximum of three times.)

4. To which of the following publications do you subscribe? Check all that apply.

<input type="checkbox"/> Fine Woodworking	<input type="checkbox"/> Popular Woodworking	<input type="checkbox"/> FDM	<input type="checkbox"/> Practical Homeowner
<input type="checkbox"/> American Woodworker	<input type="checkbox"/> Fine Homebuilding	<input type="checkbox"/> Wood & Wood Products	<input type="checkbox"/> Home Handyman
<input type="checkbox"/> Woodwork	<input type="checkbox"/> Workbench	<input type="checkbox"/> Old House Journal	<input type="checkbox"/> Shop Notes
<input type="checkbox"/> WOOD	<input type="checkbox"/> Woodsmith	<input type="checkbox"/> Journal of Light Construction	<input type="checkbox"/> Cabinetmaker
<input type="checkbox"/> Woodworker's Journal	<input type="checkbox"/> Woodshop News	<input type="checkbox"/> Wooden Boat	<input type="checkbox"/> Other _____

5. What is your annual household income?

<input type="checkbox"/> \$20,000-\$30,000	<input type="checkbox"/> \$60,001-\$70,000
<input type="checkbox"/> \$30,001-\$40,000	<input type="checkbox"/> \$70,001-\$80,000
<input type="checkbox"/> \$40,001-\$50,000	<input type="checkbox"/> \$80,001-\$90,000
<input type="checkbox"/> \$50,001-\$60,000	<input type="checkbox"/> + \$90,000

6. To which age group do you belong?

<input type="checkbox"/> 20-30	<input type="checkbox"/> 41-50	<input type="checkbox"/> 61-70
<input type="checkbox"/> 31-40	<input type="checkbox"/> 51-60	<input type="checkbox"/> +70

7. Which of the following stationary woodworking machines do you own? Check all that apply.

<input type="checkbox"/> Table Saw	<input type="checkbox"/> Jointer	<input type="checkbox"/> Lathe	<input type="checkbox"/> Scroll Saw
<input type="checkbox"/> Band Saw	<input type="checkbox"/> Planer	<input type="checkbox"/> Panel Saw	<input type="checkbox"/> Mortiser
<input type="checkbox"/> Radial Arm Saw	<input type="checkbox"/> Drill Press	<input type="checkbox"/> Air Compressor & tools	<input type="checkbox"/> Other _____
<input type="checkbox"/> Wide Belt Sander	<input type="checkbox"/> Shaper	<input type="checkbox"/> Dust Collector	
<input type="checkbox"/> Drum Sander	<input type="checkbox"/> Power Feeder	<input type="checkbox"/> Vacuum Veneer Press	

8. How many of the machines you checked in Question 7 are Grizzly machines? \_\_\_\_\_

9. Which of the following portable woodworking machines or power tools do you own? Check all that apply.

<input type="checkbox"/> Circular Saw	<input type="checkbox"/> Saber Saw	<input type="checkbox"/> Miter Saw	<input type="checkbox"/> Biscuit Joiner	Other: _____
<input type="checkbox"/> Drill/Driver	<input type="checkbox"/> Recipro Saw	<input type="checkbox"/> Belt Sander	<input type="checkbox"/> Orbital Sander	_____
<input type="checkbox"/> R-O Sander	<input type="checkbox"/> Router	<input type="checkbox"/> Planer	<input type="checkbox"/> Detail Sander	_____

10. Which of these machines or other tools would you like Grizzly to carry? Check all that apply.

<input type="checkbox"/> Radial Arm Saw	<input type="checkbox"/> Biscuit Joiner	<input type="checkbox"/> Combination Planer/Jointer	Other: _____
<input type="checkbox"/> Panel Saw	<input type="checkbox"/> Pin Router	<input type="checkbox"/> 12" Table Saw	_____
<input type="checkbox"/> Vertical Spindle Sander	<input type="checkbox"/> Mortiser	<input type="checkbox"/> 24" Planer	_____

11. Of all the mail order woodworking companies you have purchased from, how do you rate Grizzly in terms of overall customer satisfaction?

<input type="checkbox"/> The best	<input type="checkbox"/> Above average	<input type="checkbox"/> Average
<input type="checkbox"/> Below average	<input type="checkbox"/> The worst	

12. Comments: \_\_\_\_\_

FOLD ALONG THIS LINE

---

From:

---

---

---

PLACE  
STAMP  
HERE



GRIZZLY IMPORTS

P O BOX 2069

BELLINGHAM WA 98227-2069

---

FOLD ALONG THIS LINE

TAPE ALONG EDGES—PLEASE DO NOT STAPLE

# TABLE OF CONTENTS

	PAGE
I. INTRODUCTION .....	.1
II. COMMENTARY .....	.1
III. SAFETY RULES FOR ALL TOOLS .....	.2
IV. UNPACKING .....	.4
V. PARTS INVENTORY .....	.4
VI. CLEANUP BEFORE ASSEMBLY .....	.4
VII. ELECTRICAL SERVICE REQUIREMENTS .....	.5
VIII. ASSEMBLY .....	.6
IX. ADJUSTMENTS .....	.6
A. BLADE INSTALLATION .....	.6
B. BLADE TENSION .....	.7
C. TABLE TILT .....	.7
X. SCROLL SAW SAFETY .....	.8
XI. OPERATIONS .....	.9
A. STRAIGHT CUTS .....	.9
B. CURVED CUTS .....	.9
C. BEVEL CUTS .....	.10
D. INSIDE CUTS .....	.11
XII. CLOSURE .....	.11
XIII. MACHINE DATA .....	.12
XIV. UNIT PARTS DIAGRAM .....	.13
XV. UNIT PARTS LIST .....	.14
XVI. WARRANTY AND RETURNS .....	.15
NOTES .....	.16

# I. INTRODUCTION

We are proud to offer the Model G1572 15" Scroll Saw. The Model G1572 is part of a growing Grizzly family of fine woodworking machinery. When used according to the guidelines set forth in this manual, you can expect years of trouble-free, enjoyable operation and proof of Grizzly's commitment to customer satisfaction.

The Model G1572 is a scroll saw capable of a wide variety of operations. The 15" throat capacity enables you to maneuver large workpieces, making a myriad of cutting tasks possible. The Model G1572 comes complete with base, motor and electrical package. It also features an air pump to keep the cutting line visible during operation.

We are also pleased to provide this instruction manual with the Model G1572 15" Scroll Saw. This instruction manual was written to guide you through assembly, review safety considerations and cover general operating procedures. It represents our latest effort to produce the best documentation possible. If you have any constructive criticisms or comments that might improve our next printing, please write to us at:

Manager, Technical Documentation  
Grizzly Imports, Inc.  
P.O. Box 2069  
Bellingham, WA 98227-2069

Finally, we stand behind our machines. We have two excellent regional service departments at your disposal should the need arise. If you have any service questions or parts requests, please call or write to us at the appropriate location listed below.

**If you live West of the  
Mississippi River, contact:**  
P.O. Box 2069  
Bellingham, WA 98227  
Phone 1-206-647-0801  
FAX 1-800-225-0021

**If you live East of the  
Mississippi River, contact:**  
2406 Reach Road  
Williamsport, PA 17701  
Phone 1-717-326-3806  
FAX 1-800-438-5901

# II. COMMENTARY

As with any tool or machine, a clear understanding of how this scroll saw operates is necessary for safe operation. Please take the time to read this manual thoroughly. If you don't understand something, **DO NOT** operate this machine. Contact us first for assistance or advice. Grizzly cautions that although our Safety Rules are extensive, they aren't necessarily comprehensive. The bottom line on safety is this: Make sure a setup or operation is safe *as it applies to your specific situation*. What's safe in one shop might be dangerous in another.

The specifications, drawings and photographs in this manual represent the Model G1572 as supplied when the manual was prepared. We are meticulous with our manuals; however, product changes or discrepancies do occur. Whenever possible, we send manual updates to all owners of a particular tool or machine. Should you receive one, insert the new information with the old and keep it for reference.



We recommend that you keep a copy of our current catalog for complete information regarding the Grizzly warranty and return policy. Should you need additional technical information about this machine, parts, or general assistance, please contact the appropriate regional service department.

We also believe additional information sources are very important to better realize the full potential of this machine. Trade journals, woodworking magazines or your local library are good places to start.

Again, thanks for choosing Grizzly.

### III. SAFETY RULES FOR ALL TOOLS

There is a certain amount of danger associated with any power tool. Operating with respect and caution will considerably lessen the possibility of injury or machine failure. If safety precautions are ignored, injuries or damage to equipment can occur.

The Model G1572 was designed to cut wood up to 2" thick for finely-detailed, intricate work. We strongly emphasize that this tool never be modified or used for any application other than that for which it was intended. As well as being dangerous, modifications or improper use of this tool will void all warranties.

The following are important safety rules for all tools:

1. **KNOW YOUR POWER TOOL.** Read the owner's manual carefully. Learn the tool's capabilities and limitations – as well as the potential hazards associated with it.
2. **KEEP ALL GUARDS IN PLACE** and in working order.
3. **GROUND ALL NON-INSULATED TOOLS.** If machine is equipped with a three-prong plug, it should be plugged into a grounded three-hole electrical receptacle. If an adapter is used to accommodate a two-prong receptacle, the adapter plug must be attached to a known ground. Never remove the grounding prong from the plug.
4. **REMOVE ADJUSTING KEYS AND WRENCHES.** Develop the habit of checking to see that keys and adjusting wrenches are removed from the machine before turning it on.
5. **KEEP WORK AREA CLEAN.** Cluttered areas and benches invite accidents.
6. **AVOID DANGEROUS ENVIRONMENTS.** Do not use power tools in damp or wet locations, or expose them to rain. Keep work area well-lighted.
7. **MAINTAIN A SHOP "SAFE ZONE".** Keep all visitors a safe distance from the work area.
8. **MAKE WORKSHOP CHILD-PROOF.** Use padlocks, lockable master switches, or remove starter keys.
9. **DO NOT FORCE MATERIAL INTO THE MACHINE.** It will do the job better and safer at the rate for which it was designed.

10. **USE THE RIGHT TOOL.** Do not use a tool or attachment to do a job that it was not designed to do.
11. **WEAR PROPER APPAREL.** Do not wear loose clothing, gloves, neckties or jewelry that may get caught in moving parts. Non-slip footwear is also recommended. Wear a hat or hair covering to contain long hair.
12. **USE SAFETY GLASSES AND EAR PROTECTION.** Also, use a dust mask or respirator if operation produces dust.
13. **SECURE WORK.** Use clamps or a fixture to hold your workpiece. It is safer than using your hand and frees both hands to operate the tool.
14. **DO NOT OVERREACH.** Keep proper footing and balance at all times.
15. **MAINTAIN TOOLS IN TOP CONDITION.** Keep cutting edges sharp and clean for best and safest performance. Follow instructions for lubricating and changing accessories.
16. **DISCONNECT MACHINE** from power source and wait for all moving parts to stop before inspecting, servicing, or changing accessories.
17. **USE RECOMMENDED ACCESSORIES.** Refer to the current catalog for recommended accessories. The use of improper accessories may be hazardous.
18. **AVOID ACCIDENTAL STARTING.** Make sure switch is in the “OFF” position before plugging in power cord.
19. **NEVER STAND OR LEAN ON MACHINE.** Serious injury could occur if the machine is tipped or if the cutting edge is accidentally touched.
20. **INSPECT MACHINE BEFORE EACH USE.** Before further use of the machine, any part that is damaged should be repaired or replaced. Check for proper alignment, binding, mounting, and any other conditions that may affect machine operation. Perform maintenance service promptly when called for.
21. **DIRECTION OF FEED.** Feed work into a blade or cutter against the direction of rotation of the blade or cutter only.
22. **NEVER LEAVE MACHINE RUNNING UNATTENDED — TURN POWER OFF.** Do not leave machine until it comes to a complete stop.
23. **DO NOT OPERATE MACHINE WHILE UNDER THE INFLUENCE** of drugs or any medication that will affect your competence or judgement.
24. **DO NOT WORK IN HASTE** or operate machine if you are mentally or physically fatigued.
25. **IF THERE IS SOMETHING YOU DO NOT KNOW OR UNDERSTAND, DO NOT OPERATE MACHINE!** Ask for help first. Confusion can be dangerous.
26. **BAD HABITS ARE DANGEROUS.** Periodically review all safety procedures.

## IV. UNPACKING

Remove your scroll saw from its box and inspect all parts for possible shipping damage. If you find concealed damage, you will need to file a claim with the freight carrier. Save the carton and any packing material for inspection by the carrier or their agent. Without the packing material, you may have a difficult time filing a claim. Of course, if you ever need advice in this matter, please contact us.

**CAUTION:** This scroll saw weighs about 42 lbs. That's heavy enough to injure your back if you lift improperly. **DO NOT** over-exert yourself when lifting the scroll saw out of the carton. If the scroll saw is too heavy, get help.

## V. PARTS INVENTORY

Your scroll saw is shipped from the factory nearly assembled. As you will see in the brief "Assembly" Section, only the bellows assembly and cover plate are shipped disassembled. Included in the bellows kit:

- Bellows
- Blades (2)
- Clear tubing
- Air nozzle
- Nozzle bracket with screw and washer
- Allen wrench

In the rare event that any standard hardware is missing, we will be happy to replace it. It would probably be quicker and less expensive if you were to buy simple fasteners, such as nuts and washers, from your local hardware store. However, if an unusual amount of fasteners or proprietary parts are missing, please let us know.

## VI. CLEAN UP BEFORE ASSEMBLY

Many unpainted parts of your scroll saw are treated with a corrosion preventative before shipment. The best way to remove this coating is with common paint thinner (mineral spirits) and paper towels. Do not use gasoline or other petroleum-based solvents because of their extremely low flash points. Chlorine-based solvents should also be avoided — if you happen to splash some onto a painted surface, you'll ruin the finish. Before cleaning, please keep in mind the following safety rules when working with solvents:

- Read and follow all directions and warnings on the solvent label.
- Work only in a well-ventilated area.
- Do not work near any type of open flame (e.g., pilot lights, clothes dryers, kerosene heaters, and so on).

- Paper towels from the cleaning process are quite combustible. Dispose of waste towels so they do not create a fire or environmental hazard.
- **DO NOT** smoke while working with flammable solvents.

## **VII. ELECTRICAL SERVICE REQUIREMENTS**

### **A. CIRCUIT LOADING**

Your G1572 15" Scroll Saw is wired for 110/120 volt, single-phase operation. The  $\frac{1}{8}$  HP motor will draw 2.2 amps at 110/120 volts. This is not a large load; yet, if you operate this scroll saw on any circuit that is already close to its capacity, it could blow a fuse or trip a circuit breaker. If an unusual load does not exist, however, and power failure still occurs, have the circuit inspected by a qualified electrician.

### **B. GROUNDING**

**This equipment must be grounded.** This scroll saw is equipped with a grounded power cord. Ensure that the scroll saw is continuously grounded from the motor to the machine frame and then to a known ground. Verify that any existing 110/120 volt outlet and circuit you intend to use is actually grounded. If it is not, run a separate 12 AWG copper grounding wire from the outlet to a known ground. If adding a new circuit, ensure that the breaker is grounded to the grounding terminal in your electric service panel. Under no circumstances should the grounding pin from any three-pronged plug be removed.

### **C. GENERAL INFORMATION**

Fuse at 15 amps. Fuses rated any higher will not adequately protect this motor.

Extension cords, if used, must be rated Hard Service (grade S) or better. Conductor size must be 14 AWG for cords up to 50 feet in length. Your extension cord must also contain a ground wire and plug pin. Always repair or replace extension cords if they become damaged.

### **D. A WORD OF CAUTION**

In this section we have covered some basic electrical requirements for the safe operation of your scroll saw. As with the safety rules in the preceding section, these requirements are not necessarily comprehensive. Be certain that your particular electrical configuration complies with local and state codes. The best ways to ensure compliance are to check with your local municipality or licensed electrician.

## VIII. ASSEMBLY

### A. AIR PUMP

The air pump assembly produces a bellows-driven flow of air over your cutting surface, which enables you to see detailed markings on your workpiece. Installing the bellows and air nozzle is a quick and easy process, requiring only a Phillips head screwdriver.

1. Insert bellows assembly into the notch on top of the scroll saw's upper arm cover. Twist the bellows to lock in place. The bellows will only fit when the air nipple is facing upward.
2. Attach the clear tubing to the nipple at the top of the bellows. Insert the air nozzle at the other end of the tubing and attach to the left side of the upper arm cover by clamping down the assembly with the mounting bracket provided in the accessory bag.

### B. COVER PLATE

Attach the cover plate with the Phillips head screw provided at the opening on the lower left side of the scroll saw's base.

## IX. ADJUSTMENTS

### A. BLADE INSTALLATION

The Model G1572 Scroll Saw is equipped with retainer clips, designed to accommodate pin-tipped blades. An adapter kit (G1580) is available through the Grizzly catalog which enables the G1572 to use plain tipped scroll saw blades. To mount either of the pin-tipped blades included with this saw:

1. Loosen the tension adjusting knob, located at the far back of the upper arm cover. Thread the blade through the hole provided in the table and hook the blade's cross pins on the top and bottom retainer clips. See Figure 1.

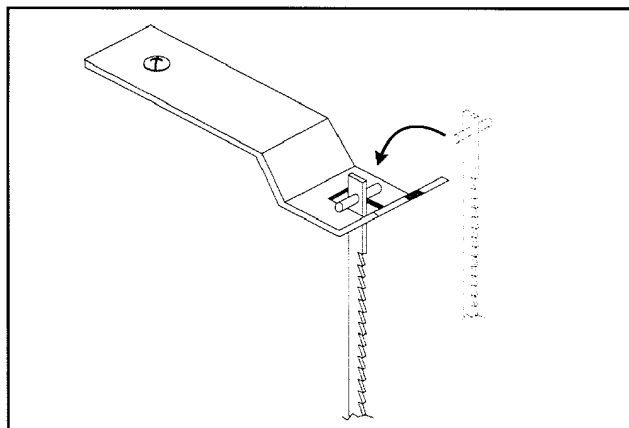


Figure 1

## B. BLADE TENSION

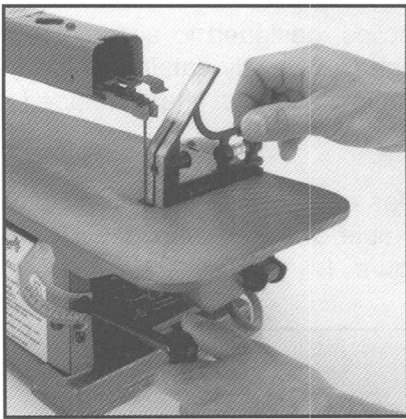
Once the blade is in place, Re-tighten the tensioner knob at the back of the machine. Proper tension may vary, depending on the blade size and the material being cut, but a safe rule-of-thumb would be to tighten the adjuster until the blade is snug in its retainers, then turn the tensioner an additional quarter-of-a-turn. Tightening your blade beyond this point may cause it to snap while in use.

## C. TABLE TILT

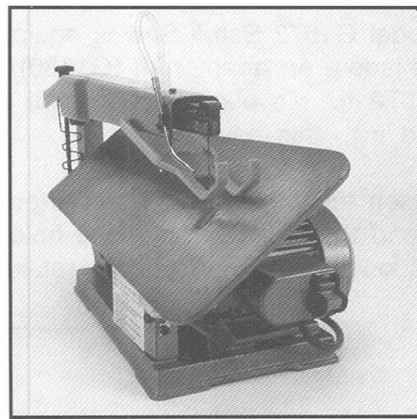
Your Scroll Saw can handle any sort of bevel cut between 0 and 45 degrees. Before you try this, however, let's make sure the blade is perpendicular to the table.

The pointer setting at 90° might be slightly inaccurate due to the normal rigors of shipping. Recalibration of this setting is easy.

1. Place the head of a combination square or a small machinist's square on the table.
2. Loosen the Tilt Adjustment Knob located directly under the table.
3. Place the square against the blade. If there is any space between the square and the blade, the table is not at 90°. Adjust the table to close this space. See Figure 2.
4. Once you're sure the table is at 90°, tighten the Tilt Adjustment Knob. It will also be necessary to loosen the pointer and reset it.



**Figure 2**



**Figure 3**

Now that the table is perpendicular to the blade, any angle you set between 0 and 45 degrees will be accurate. To do this:

1. Turn the Tilt Adjustment Knob counterclockwise and lift the right edge of the table. When the table reaches the desired angle, tighten the knob. See Figure 3.

## X. SCROLL SAW SAFETY

In Section II we outlined some general safety rules for all power equipment. In this section we'll cover safety procedures specific to your Model G1572 Scroll Saw.

1. Make sure saw teeth are pointed down toward the table.
2. Maintain proper blade tension (see Page 7).
3. When making adjustments, turn off the power and unplug the scroll saw.
4. To test adjustments, rotate the rocker arm slowly by hand. Never assume an adjustment is correct and then turn the power on.
5. Feed stock into the blade using a slow, steady pressure.
6. Adjust Hold-down Foot so it barely touches your workpiece.
7. Keep workpiece firmly against the table.
8. Wait until all motion is stopped before clearing cutoff pieces away from the blade.
9. Although your scroll saw is equipped with a safety shield, eye or face protection must be worn during operation.
10. Inspect your saw before each use. Any part or assembly that looks even remotely abnormal should be repaired or adjusted before you turn the power on.
11. Always wait until the saw is completely stopped before leaving it.
12. Habits are hard to break—good and bad. Develop good habits and safety will become second nature to you.

# XI. OPERATIONS

Your scroll saw can perform a variety of intricate cuts: straight, curved, bevel, inside, and so on. The kind of work you produce with it is limited only by your imagination.

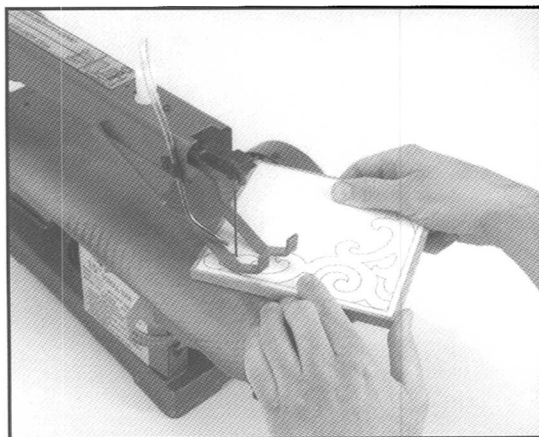
In this section we'll cover the four basic types of cuts from which all others are variations. Please keep in mind that these are standard guidelines; they are by no means the only correct ways to use your scroll saw.

## A. STRAIGHT CUTS

1. Scribe a straight line on your workpiece with a sharp pencil or scratch awl.
2. Adjust Hold-down Foot so it barely touches the workpiece.
3. Turn power on. Allow motor to reach its working speed and push the workpiece slowly and steadily into the blade, keeping your hands to either side of the cutting line. Make sure the blade is cutting to the waste side of the line.

## B. CURVED CUTS

1. Scribe a curved line on your workpiece with a sharp pencil or scratch awl.
2. Adjust the hold-down foot as for straight cutting.
3. Maintaining a slow, even pressure, feed the workpiece into the blade. Approaching a tight radius, slow down your feed rate, but don't stop. The blade must do the cutting; don't force the piece into the blade faster than the machine can handle, especially on a curve. This will cause the blade to twist, which increases the risk of breakage. Keep the workpiece flat against the table, and keep an eye on the blade to make sure it doesn't twist. See Figure 4.



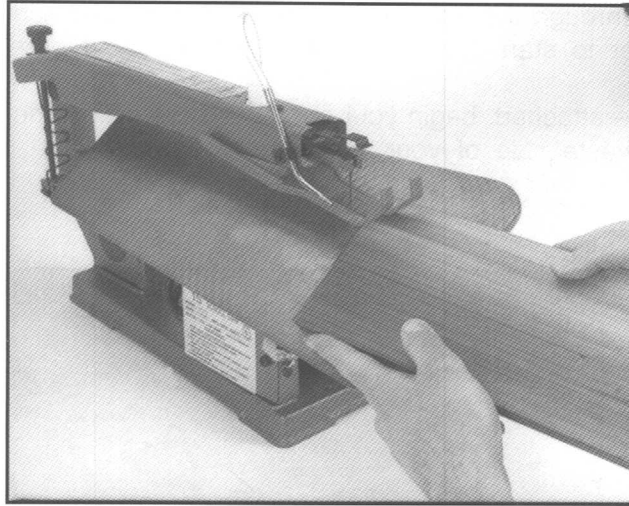
**Figure 4**

4. If your cut produces waste in the curve's interior, turn the power off and wait until all motion stops before removing the waste against the blade.



## C. BEVEL CUTS

1. Scribe your workpiece as described in the previous two sections.
2. Adjust the table to its desired angle (see Section IX C).
3. Using the same principles as in the previous sections, feed the work slowly and evenly into the blade, remembering not to force your will on the blade or the motor. See Figure 5.
4. Again, wait until all motion has stopped before removing waste close to the blade.



**Figure 5**

## D. INSIDE CUTS

Inside cuts such as circles, eyes for figurines, or the insides of closed letters can be easily cut with your scroll saw by threading the blade through a hole cut in the waste portion of your workpiece. To make an inside cut:

1. Loosen the tensioner knob at the back of the saw and remove the blade from the retainer clips.
2. Drill a hole in the waste portion of the workpiece, somewhere near where you want to begin your inside cut.
3. Thread the blade through the hole in the workpiece and re-attach it to the retainer clips. You'll find it easier to start with the lower clip first. See Figure 6.
4. Once the blade is re-attached, begin your cut toward the inside line of your pattern. Make your cut on the waste side of your line.

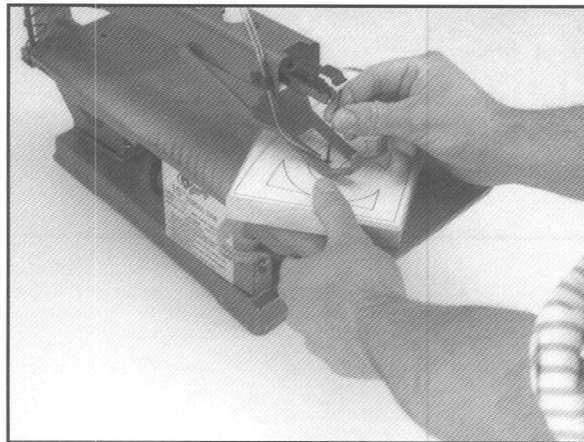


Figure 6

## XII. CLOSURE

The following pages contain general machine specifications, a parts diagram and list, and Warranty and Return information for your Model G1572 Scroll Saw.

If you need parts or help in assembling your machine, or if you need operational information, we encourage you to call the appropriate Regional Service Department. Our highly trained service technicians will be glad to help you.

If you have any comments or concerns dealing specifically with this manual, please write to our Bellingham, Washington location using the address in the Introduction.

# XIII. MACHINE DATA

## GRIZZLY MODEL G1572 15" SCROLL SAW

Design Type ..... Bench Model

### Capacities

Maximum Cutting Width ..... 15"

Maximum Cutting Height ..... 2"

Table Tilt ..... 0-45 Degrees

### Overall Dimensions

Base ..... 13<sup>7</sup>/<sub>8</sub>" x 7<sup>7</sup>/<sub>8</sub>"

Table ..... 17" X 7<sup>3</sup>/<sub>8</sub>"

Height ..... 11<sup>1</sup>/<sub>2</sub>"

Length ..... 20"

Width ..... 10"

Throat ..... 15"

Container Size ..... 1.87 Cu. Ft.

Shipping Weight ..... 44 lbs.

Net Weight ..... 41<sup>1</sup>/<sub>2</sub> lbs.

### Blade and Movement

Standard ..... 5"

Cuts per minute ..... 1725 (60 Hz)

Stroke ..... <sup>3</sup>/<sub>4</sub>"

### Construction

Base ..... Die Cast Aluminum

Table ..... Ground Cast Iron

Arms and Pillar ..... Die Cast Aluminum

### Motor

Horsepower ..... <sup>1</sup>/<sub>8</sub> HP

Amps ..... 2.2

Phase Type/Voltage ..... Single Phase/110V

Cycle and RPM ..... 60 Hertz/1725RPM

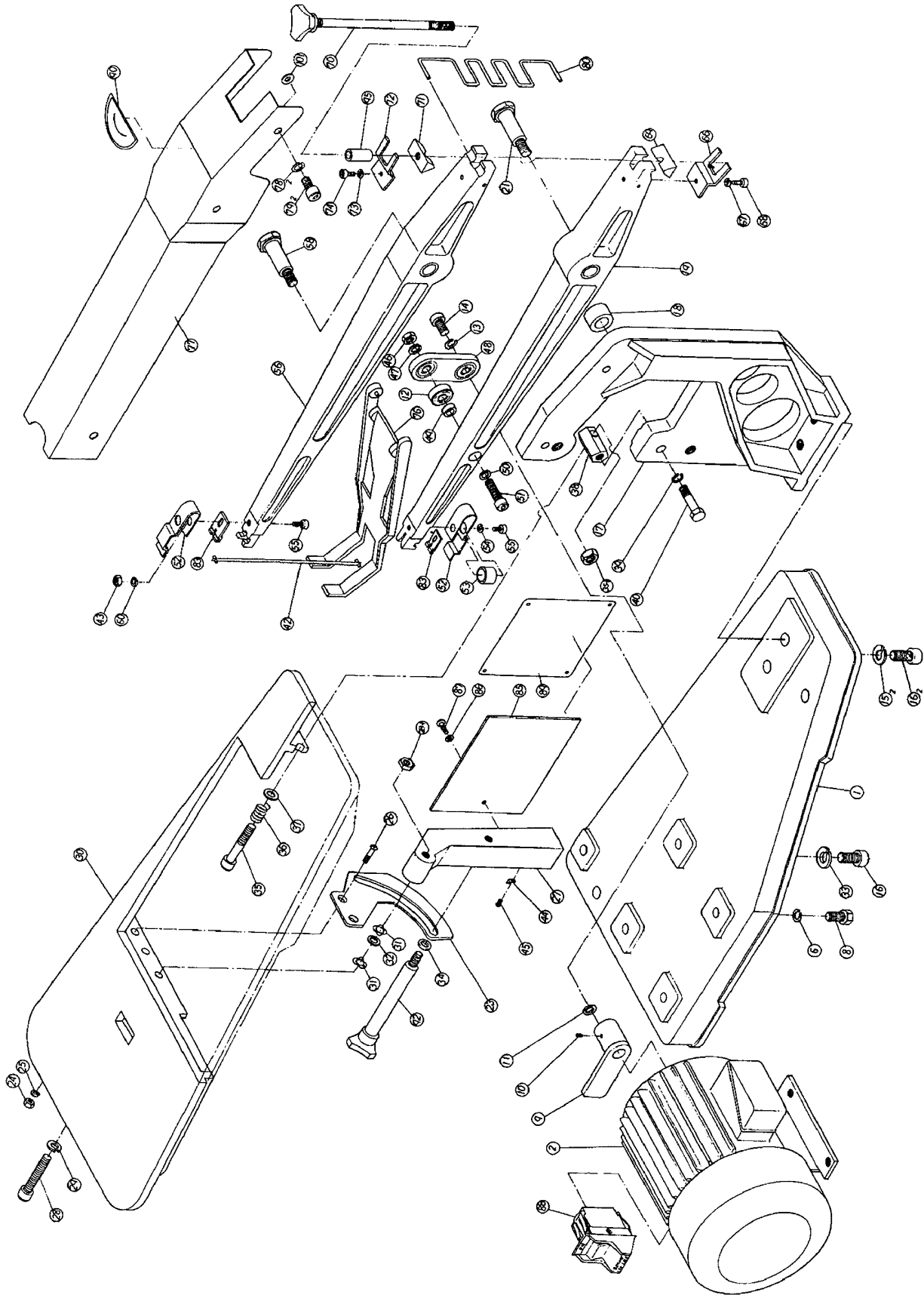
Switch ..... On/Off Toggle with Removable Plastic Key

Power Transfer ..... Rocker Arm

Bearings ..... Shielded, Permanently Lubricated

*Specifications, while accurate, are subject to change without notice.*

# XIV. PARTS DIAGRAM



## XV. PARTS LIST

REF#	PART#	DESCRIPTION
001	P1572001	BASE
002	P1572002	MOTOR
006	PLW02	LOCK WASHER 1/4"
008	PB10M	HEX BOLT M6-1.0X25
009	P1572009	ECCENTRIC
010	PSS20M	SETSCREW M8-1.25X8
011	PW03	FLAT WASHER 3/16"
012	P1572012	BALL BEARING 625ZZ
013	PLW03	LOCK WASHER 3/16"
014	PSB24M	CAP SCREW M5-0.8X16
015	PLW01	LOCK WASHER 5/16"
016	PSB24M	CAP SCREW M8-1.25X25
017	P1572017	BODY
018	P1572018	BUSHING
019	P1572019	LOWER ARM
021	P1572021	PIVOT BOLT
023	P1572023	TABLE ANGLE SCALE
024	PN06M	HEX NUT M5-0.8
025	PLW03	LOCK WASHER 3/16"
026	PFH01M	FLAT HD SCREW 5-0.8X15
027	P1572027	TABLE BRACKET
028	PSB30M	CAP SCREW M6-1.0X45
28-1	PN01M	HEX NUT M6-1.0
029	PLW02	LOCK WASHER 1/4"
030	P1572030	TABLE
031	P1572031	WAVY WASHER
032	PW06	FLAT WASHER 1/4"
033	PLW01	LOCK WASHER 5/16"
034	PW06	FLAT WASHER 1/4"
035	PSB37M	CAP SCREW M6-1.0X50
35-1	PN01M	HEX NUT M6-1.0
036	P1572036	COMPRESSION SPRING
037	PW06	FLAT WASHER 1/4"
038	P1572038	SPECIAL NUT
039	PLW02	LOCK WASHER 1/4"
040	PB10M	HEX BOLT M6-1.0X25
042	P1572042	SEE CATALOG
043	PN06M	HEX NUT M4-0.7
044	P1572044	ANGLE POINTER
045	PS03M	PH HD SCREW M6-1.0X8
046	PN06M	HEX NUT M4-0.7
047	PLW03	LOCK WASHER 3/16"
048	P1572048	CONNECTING LINK
050	PLW03	LOCK WASHER 3/16"
051	PSB38M	CAP SCREW M5-0.8X25
052	P1572052	RETAINING CLIP

REF#	PART#	DESCRIPTION
053	P1572053	BUSH
054	PLW02M	LOCK WASHER 4MM
055	PSB23M	CAP SCREW M4-0.7X12
056	P1572056	UPPER ARM
058	P1572021	PIVOT BOLT
059	PSB39M	CAP SCREW M4-0.7X20
060	PLW02M	LOCK WASHER 4MM
062	P1572062	RETAINING BLOCK
063	PW03M	FLAT WASHER 6MM
064	P1572064	SPRING
065	P1572065	LOCK KNOB
066	P1572072	SET PLATE
067	PLW02M	LOCK WASHER 4MM
068	PSB23M	CAP SCREW M4-0.7X12
069	P1572069	CLAMP BOLSTER
070	P1572070	TENSION BOLT W/KNOB
071	P1572071	CLAMP BOLSTER
072	P1572072	SET PLATE
073	PLW02M	LOCK WASHER 4MM
074	PSB23M	CAP SCREW M4-0.7X12
076	P1572076	BLADE GUARD
077	P1572077	ROCKER ARM COVER
078	PLW02	LOCK WASHER 1/4"
079	PSB26M	CAP SCREW M6-1.0X12
080	P1572080	SPRING
081	P1572081	BLADE HOLDER
082	PSB23M	CAP SCREW M4-0.7X12
82-1	PLW02M	LOCK WASHER 4MM
083	P1572083	BLADE CLIP
084	P1572084	SEE CATALOG
085	P1572085	LABEL PLATE
086	PLW02	LOCK WASHER 1/4"
087	PSB26M	CAP SCREW M6-1.0X12
088	P1572088	SWITCH
089	P1572089	LABEL
090	P1572090	LABEL
092	P1572092	SET BOLT
095	P1572095	SPACER
096	P1572096	MOTOR FAN COVER
097	P1572097	MOTOR FAN
098	P1572098	PUFFER

## **XVI. WARRANTY AND RETURNS**

### **Limited Warranty**

Grizzly Imports, Inc. (Grizzly) warrants every product it sells for a period of one year on all parts and one year on all electric motors to the original purchaser from the date of purchase. This warranty does not apply to defects due directly or indirectly to misuse, abuse, negligence, accidents, repairs or alterations or lack of maintenance. This is Grizzly's sole written warranty and any and all warranties that may be implied by law, including any merchantability or fitness, for any particular purpose, are hereby limited to the duration of this written warranty. We do not warrant or represent that the merchandise complies with the provisions of any law or acts unless the manufacturer so warrants. In no event shall Grizzly's liability under this warranty exceed the purchase price paid for the product and any legal actions brought against Grizzly shall be tried in the State of Washington, County of Whatcom.

We shall in no event be liable for death, injuries to persons or property or for incidental, contingent, special or consequential damages arising from the use of our products.

To take advantage of this warranty, the product or part must be returned to either our Bellingham or Williamsport warehouse, freight prepaid. Proof of purchase must accompany the merchandise. The manufacturers reserve the right to change specifications at any time as they constantly strive to achieve better quality equipment.

We make every effort to ensure that our products meet high quality and durability standards and we hope you never need to use this warranty.

# Parts and Service Information

Grizzly stands behind its products with a full parts inventory. These parts are available for purchase by Grizzly machine owners regardless of whether you are the original owner or a subsequent owner. If you are the original owner, please fill out the warranty information on the warranty card, remove the card from this manual and send it back to us within 10 days of product delivery. We appreciate any comments or suggestions and use them to better our products and service.

If you are not the original owner, please fill out one of the cards below, remove the card from the manual and send it back to us. By registering with us, you will have the same access to parts and service as the original owner.

If you need service or help with this machine, please call or write to us at the appropriate regional service location listed on page 1 of this manual.

## CHANGE OF OWNERSHIP

### Original Owner

Machine name & model no. \_\_\_\_\_

Name \_\_\_\_\_ Phone Number \_\_\_\_\_

Street \_\_\_\_\_

City \_\_\_\_\_

State \_\_\_\_\_ ZIP \_\_\_\_\_ Date purchased \_\_\_\_\_

### New Owner

Name \_\_\_\_\_ Phone Number \_\_\_\_\_

Street \_\_\_\_\_

City \_\_\_\_\_

State \_\_\_\_\_ ZIP \_\_\_\_\_ Date purchased \_\_\_\_\_

## CHANGE OF OWNERSHIP

### Original Owner

Machine name & model no. \_\_\_\_\_

Name \_\_\_\_\_ Phone Number \_\_\_\_\_

Street \_\_\_\_\_

City \_\_\_\_\_

State \_\_\_\_\_ ZIP \_\_\_\_\_ Date purchased \_\_\_\_\_

### New Owner

Name \_\_\_\_\_ Phone Number \_\_\_\_\_

Street \_\_\_\_\_

City \_\_\_\_\_

State \_\_\_\_\_ ZIP \_\_\_\_\_ Date purchased \_\_\_\_\_

From:

\_\_\_\_\_  
\_\_\_\_\_  
\_\_\_\_\_

PLACE  
STAMP  
HERE



GRIZZLY IMPORTS INC

P O BOX 2069

BELLINGHAM WA 98227-2069

From:

\_\_\_\_\_  
\_\_\_\_\_  
\_\_\_\_\_

PLACE  
STAMP  
HERE



GRIZZLY IMPORTS INC

P O BOX 2069

BELLINGHAM WA 98227-2069